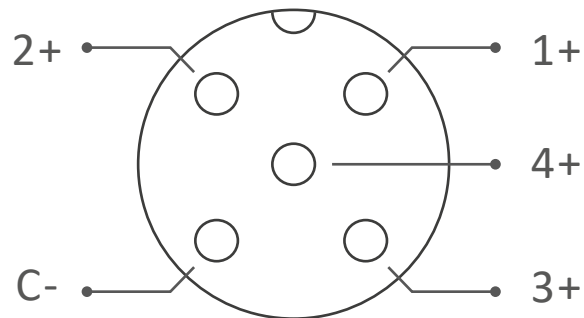
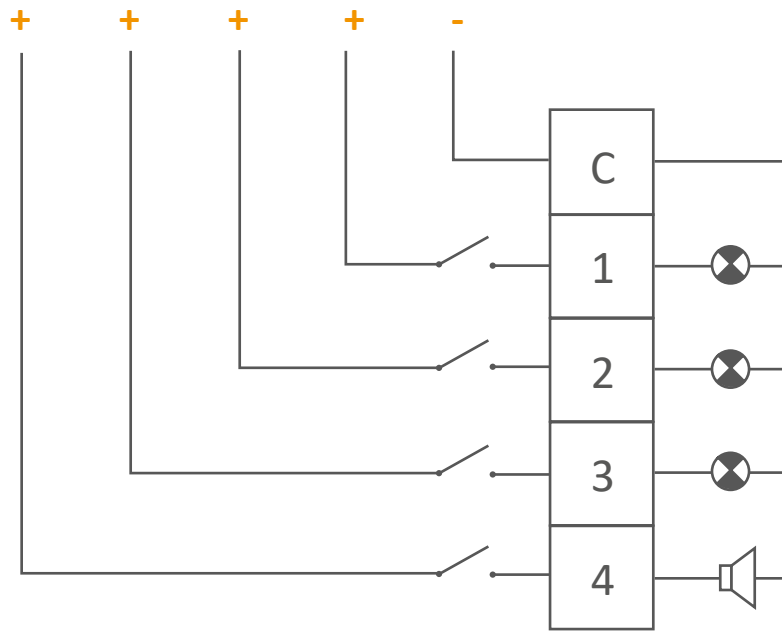


Tricolor LED beacons with alarm sounders

12 / 24 V DC



	●	●	●	
Input 1	+			
Input 2		+		
Input 3			+	
Input 4				+

	●	●	●	
Input 1	+			
Input 2		+		
Input 3			+	
Input 4				+