

ATEX - QUADRICOLOR BEACON



Protection: **II 2G EX D T6 GB / II 2D EX TB IIIC T85°C DB IP65**



- QUADRICOLOR and TRICOLOR lamp, 1 lamp, 4 messages at the same time.
- When 2 or more alarms are present the color lights up alternatively according to the event occurred.
- MULTICOLOR lamp can replace any kind of stacklight.
- Select option steady or flashing light.
- High protection class, categories: 2G (zone 1 and 2); 2D (zone 21 and 22).

SPECIFICATION

Compliance

Directive 2014/34/UE ATEX
 Directive 2014/35/UE Low Voltage
 Directive 2014/30/UE electromagnetic
 Directive 2006/42/ Machinery

Conformity to standards

EN 60079-0 - EN 60079-1 - EN 60079-31 - EN 60947.5.1 - EN 61241-0 - EN 61241-1 - EN 60204.1 - EN 60073 - EN 60529 - EN 60068.2.6 - EN60068-2-27 - EN ISO 7731 - EN 981 - IEC 536

Certifications

INERIS 01 ATEX0072X

Enclosure

Alluminium alloy without copper (high corrosion resistance), robust borosilicate glass dome and stainless steel, guard AISI 304.

Cable entries

¾" NPT

Operating voltage

24V AC/DC (+/- 10%)

Current consumption

90 mA

Light

High bright LED

Operating method

Steady or flashing light

Protection degree

IP 65

Operating temperature

- 20° C + 40° C / -20° C + 60° C

Working cycle

100%

Connections

with screw clamps max size 1,5 mmq.

Size

152x245

Weight

1,5 Kg

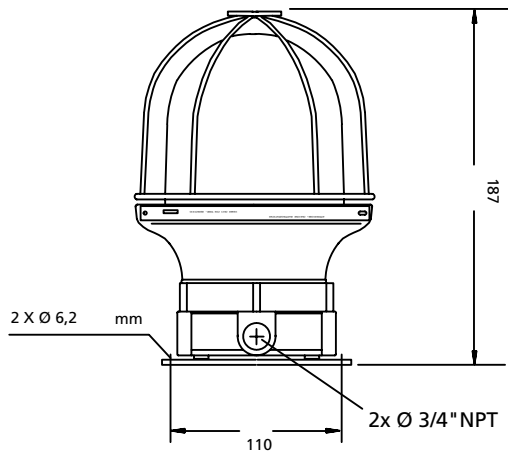
PART CODES

The standard lamp is composed by: 10 or 30 red enclosure without guard, cable entries ¾ NPT

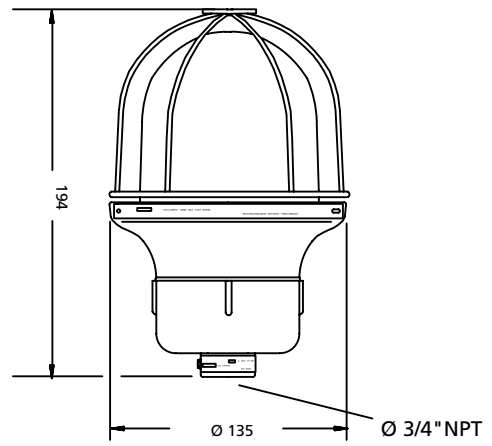
VERSION	DESCRIPTION
TEX5004Q1B	QUADRICOLOR lamp, green, blue, orange and red, cable entries ¾" NPT, enclosure type 50 without guard
TEX50MZ4T5B 532	TRICOLOR lamp, green, orange and red, cable entries ¾" NPT, enclosure type 50 without guard
TEX50MZ4T5B 632	TRICOLOR lamp, blue, orange and red, cable entries ¾" NPT, enclosure type 50 without guard
For particular executions, please sign	
0M	Cable entries M25x1,5mm
V7	Gray epoxy enclosure RAL 7000, other colors on request
GB	Guard made of AISI 304
Example part code: TRICOLOR lamp, green, orange and red, with gray enclosure type 50, cable entries M25 and guard: TEX50MZ4T5B632/0M/V7/GB	

SIGNALLING LAMP ATEX

enclosure TEX10



enclosure TEX30



enclosure TEX50

