

# ATEX - MULTIFUNCTIONAL BEACON

Protection: **II 2G EX D T6 GB / II 2D EX TB IIIC T85°C DB IP65**



- Signal lamp with rotating, flashing and steady light.
- High bright LED, long distance sight.
- Compact, strong and easy to install.
- Commonly used in every gas and dust explosion ambient. Only mines are excluded.
- High protection class, categories: 2G (zone 1 and 2); 2D (zone 21 and 22).

## SPECIFICATION

### Compliance

Directive 2014/34/UE ATEX  
 Directive 2014/35/UE Low Voltage  
 Directive 2014/30/UE electromagnetic compatibility  
 Directive 2006/42/ Machinery

### Conformity to standards

EN 60079-0 - EN 60079-1 - EN 60079-31 - EN 60947.5.1 - EN 61241-0 - EN 61241-1 - EN 60204.1 - EN 60073 - EN 60529 - EN 60068.2.6 - EN60068-2-27 - EN ISO 7731 - EN 981 - IEC 536

### Certifications

INERIS 01 ATEX0072X

### Enclosure

Alluminium alloy without copper (high corrosion resistance), robust borosilicate glass dome and stainless steel guard AISI 304.

### Cable entries

¾" NPT

### Operating voltage

24V AC/DC - 115 V AC - 230 V AC

### Current consumptions

24 V < 110 mA – 115 V < 25 mA – 230 V < 15 mA

### Light

45 high bright LED

### Operating method

steady, rotating or flashing light

### Protection degree

IP 65

### Operating temperature

-20° C + 40° C / -20° C + 60° C

### Working cycle

100%

### Connections

With screw clamps max size 1,5 mmq.

### Size

152x245

### Weight

1,5 Kg

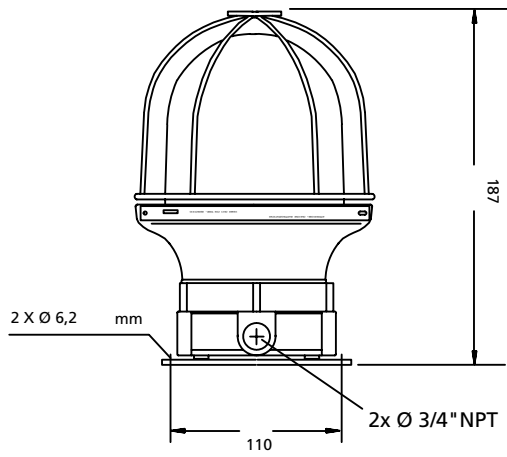
## PART CODES

The standard lamp is composed by:10 or 30 red enclosure without guard, cable entries ¾"

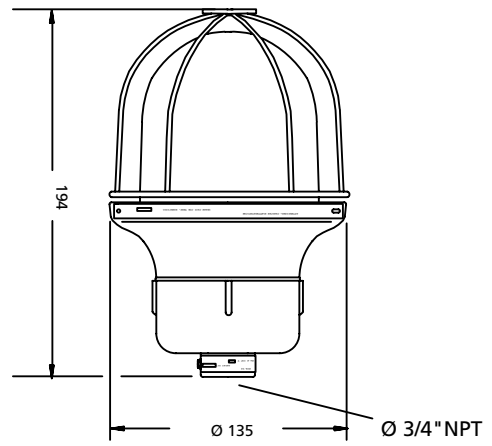
24 V ac/dc	115 V ac	230 Vac
MULTIFUNCTIONAL		
<b>TEX50M4HB</b>	FLASHING LIGHT	
<b>TEX502H4B</b>	<b>TEX502H4F</b>	<b>TEX502H4G</b>
<b>TEX501H4B</b>	<b>TEX501H4F</b>	<b>TEX501H4G</b>
To complete the part code, please sign the color of lamp as below		
<b>2</b>	Red lamp	
<b>3</b>	Orange lamp	
<b>4</b>	Yellow lamp	
<b>5</b>	Green lamp	
<b>6</b>	Blue lamp	
<b>9</b>	Neutral lamp	
<b>0M</b>	Cable entries M25x1,5 mm	
<b>V7</b>	Gray epoxy enclosure RAL 7000, other colors on request	
<b>GB</b>	Guard made of AISI 304	
Example part code: flashing red lamp,24V with gray enclosure type 50 with guard: <b>TEX502H4B/2/GB</b>		

# SIGNALLING LAMP ATEX

enclosure TEX10



enclosure TEX30



enclosure TEX50

